

ZEN Air Phono 2 User Manual_Ver1.0



ZEN air Phono 2

User Manuals

Thank you for choosing the ZEN Air Phono 2. It's a Audiophile MM & MC Phono Stage.

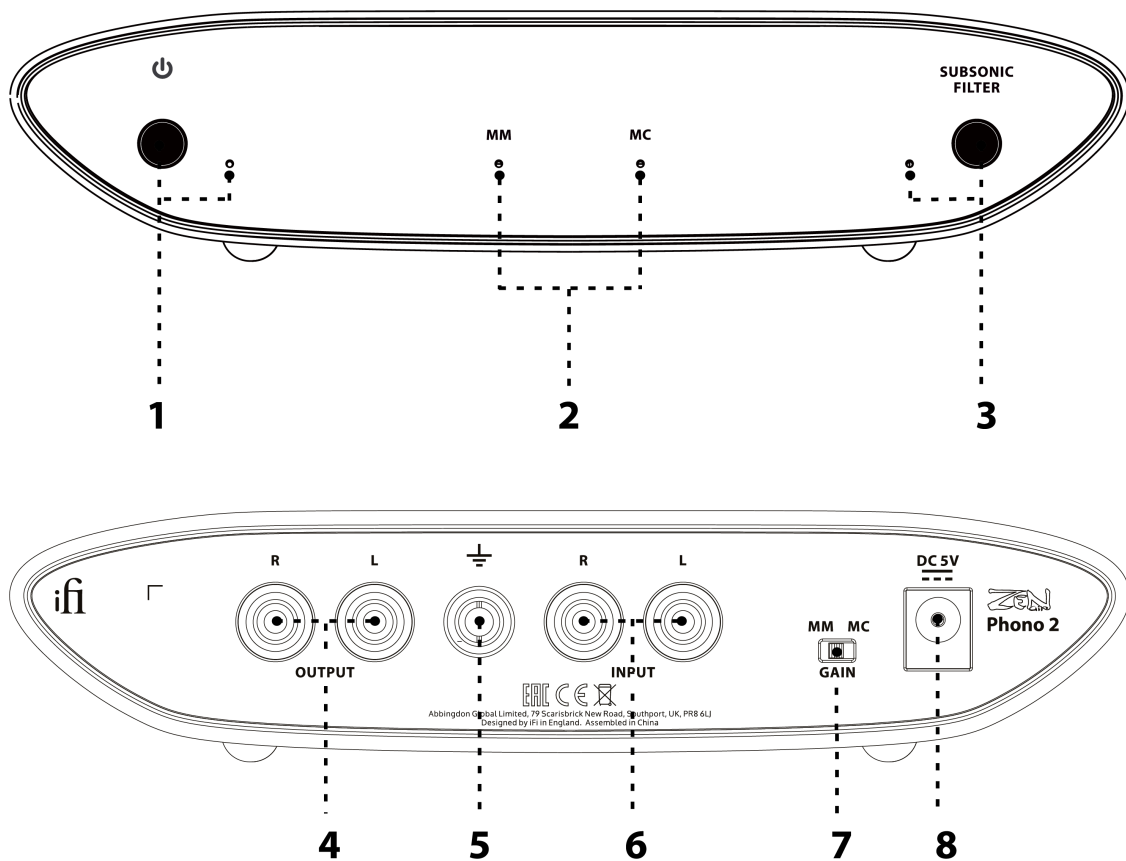
Bring your vinyl to life with the ZEN Air Phono 2.

Clean, clear, and simple to use, the ZEN Air Phono 2 brings out the full character of your favourite records with extremely low-noise, detailed sound. Its intelligent subsonic filter tames rumble from warped records, while easy-to-set gain options for MM and MC cartridges make every turntable setup simple.

FEATURES:

- Uncovers the true character and warmth of your vinyl
- Expertly optimised for both MM and MC cartridges

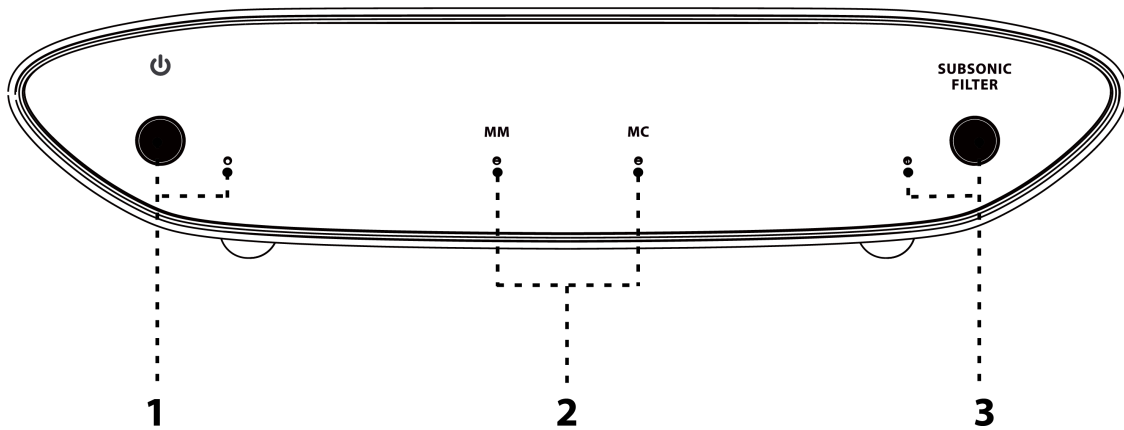
- -141dBV ultra-low noise floor brings out hidden detail in records
- Precise RIAA equalisation delivers lifelike playback
- Symmetrical channel design for high-end audiophile performance
- Subsonic filter cleans up rumble and keeps warped records sounding smooth



Contents

1. Power Switch
2. MM/MC Gain Mode Display
3. Subsonic Filter On/Off and Gain switch unlocked
4. RCA Single-Ended Line Output
5. Grounding Terminal

- 6. RCA Single-Ended Line Input
- 7. MM/MC Gain Mode Switch
- 8. DC 5V Power Supply Input



1. Power Switch

Short press to switch the device on/off.

Note: If the device has been on for 10 minutes or more, press the power switch twice to turn it off. This only occurs after extended use, as the MCU disengages from the signal path to ensure the best sound quality!

2. MM/MC Gain Mode Display

The LEDs indicate the currently selected gain mode (see item 7).

LED	Gain Mode (7)	Cartridge Output Level
MM	MM	>2mV
MC	MC	≤2mV

Tip: After 10 minutes of operation, ZEN Air Phono 2 enters a locked state, preventing any changes to the settings. To unlock and make adjustments, simply short-press the intelligent subsonic filter switch (4).

3. Subsonic Filter On/Off and Gain switch unlocked

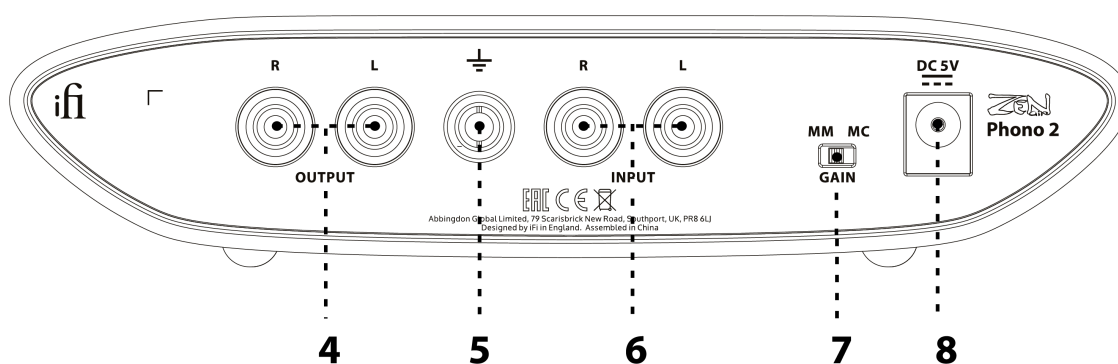
Subsonic filter switch (short press)

The iFi-designed subsonic filter will intelligently detect whether a subsonic frequency is a record warp or a bass note. It will eliminate the warps and let all the bass and mid-range frequencies pass through untouched. Therefore, it will not adversely affect the sound quality.

Gain switch function unlocked (short press)

To change gain after the unit has been on for more than 10 minutes, short press this switch to unlock the rear gain switch (7).

Tip: To protect your device, the gain switch (7) will enter lock mode after 10 minutes and will need to be unlocked each time you operate it.



4. RCA Single-Ended Line Output

This is an analogue output via RCA > RCA or other single-ended interconnects. You can use this to connect to active speakers or amplifiers that have a volume control.

5. Grounding Terminal

This is the ZEN Air Phono 2 grounding terminal; please connect it to the turntable's grounding wire.

6. RCA Single-Ended Line Input

This is the analogue input. Connect your turntable to the ZEN Air Phono 2 here.

7. MM/MC Gain Mode Switch

This switch allows you to select between 2 gain levels, ranging from 40-64dB of amplification:

Gain Channel	Cartridge Output Level
corresponds to MM	>2mV
corresponds to MC	≤2mV

Note: Please adjust the gain channel switch in accordance with your preference and your turntable/cartridge specifications.

8. DC 5V Power Supply Input

The ZEN Air Phono 2 is powered by a 5V supply only. Please connect the ZEN Air Phono 2 to the enclosed power supply.

Tip: For best performance, upgrade the enclosed power supply to a super-low noise power adapter such as SilentPower's iPower2 5V or iPower X 5V.

SPECIFICATIONS:

Analogue Input:	RCA L/R
Analogue Output:	RCA L/R
Max.^ Output Voltage:	6.5V RMS 600Ω (<1% THD & N)
Input impedance:	
MM	47kΩ
MC	1kΩ

Output impedance: $\leq 100\Omega$

Gain settings

MM 40dB (± 1 dB)

MC HIGH 64dB (± 1 dB)

SNR:

MM 86dB (A-weighted) re 1V

MC 82dB (A-weighted) re 1V

Ein (equivalent input noise):

MM 6.5nV/ $\sqrt{\text{Hz}}$ (unweighted) -126dBV (A-weighted)

MC 0.6nV/ $\sqrt{\text{Hz}}$ (unweighted) -146dBV (A-weighted)

Total Harmonic Distortion:

MM < -90 dB/0.005%

MC < -80 dB/0.036%

General

Channel Separation: > 75 dB (1kHz all modes)

Frequency Response: 20Hz - 20kHz (± 0.15 dB)

Power Supply Requirement: DC 5V/ ≥ 1 A (centre +ve)

Power Consumption: < 1.8 W

Dimensions: 158 x 117 x 35 mm (6.2" x 4.6" x 1.4")

Net Weight: 323 g (0.72 lbs)

Limited Warranty: 12 months*

**12 months typical or as permitted/required by local reseller laws.*

***Specifications are subject to change without notice.*

